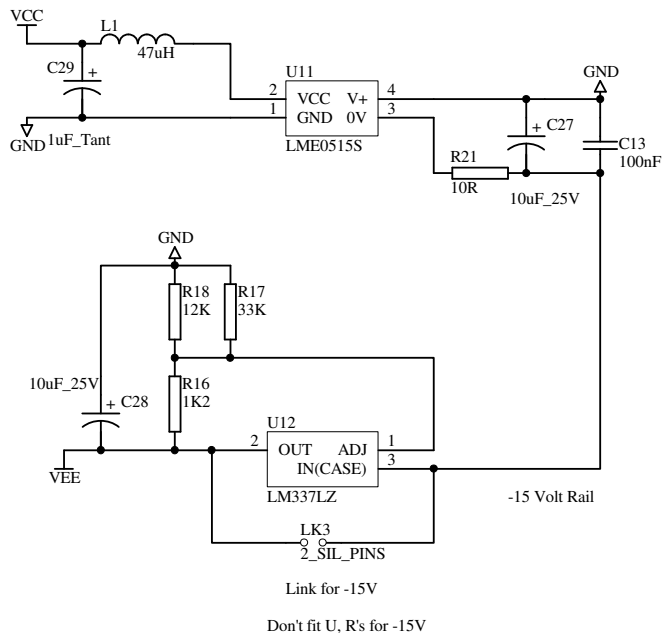
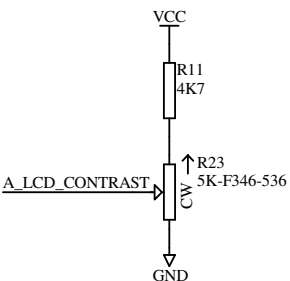


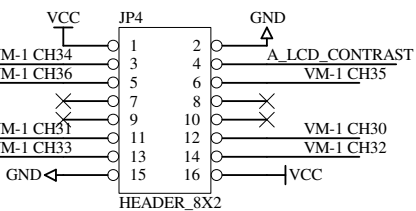
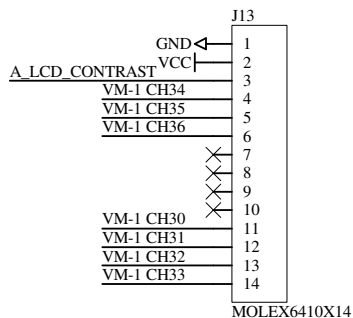
LM337LZ BOTTOM VIEW



Graphics LCD Negative Supply rail generator

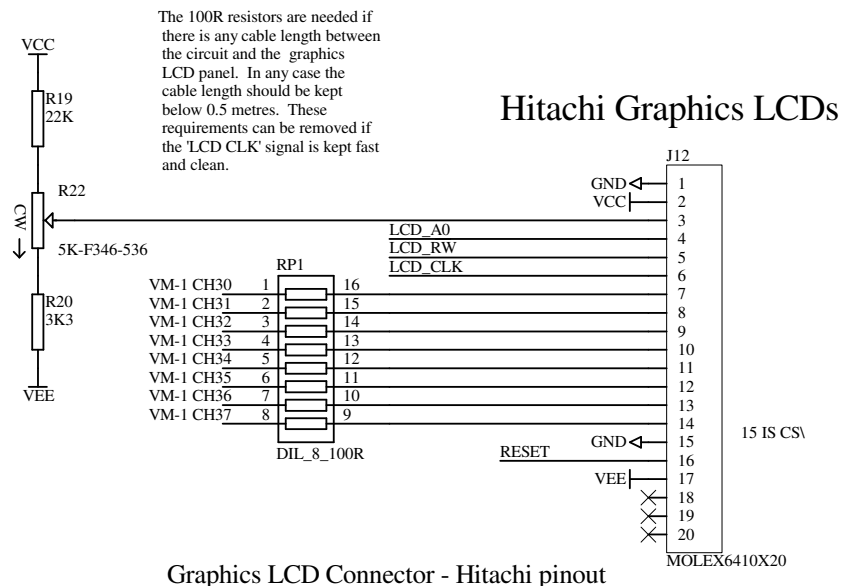


ALPHALCD SIL CONNECTOR



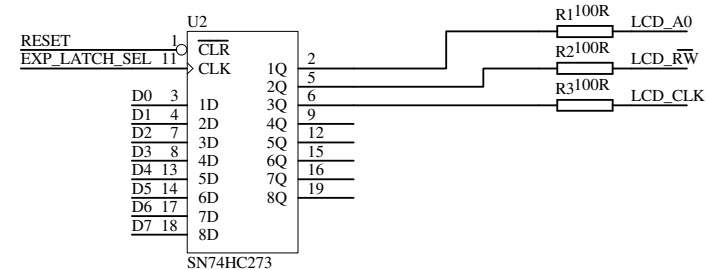
ALPHALCD REVERSE DIL IDC CONNECTOR

This pinout is for DIL connectors to an LCD where a transition connector has been soldered in to the BACK side of the LCD unit.



Graphics LCD Connector - Hitachi pinout

The 100R resistors are needed if there is any cable length between the circuit and the graphics LCD panel. In any case the cable length should be kept below 0.5 metres. These requirements can be removed if the 'LCD CLK' signal is kept fast and clean.



Graphics LCD control signals

<b>D005 LCDs</b>	Micro-Robotics Ltd. The Old Maltings 135 Ditton Walk Cambridge CB5 8QB Tel. +44 (0) 1223 523100
Revision:	
Date: 13-Aug-2007 11:32:02	
Sheet 4 of 4	
File: S:\data\Venom SC\VM-1 Useful Ccts\D005_LCD_App_Note.SCH	