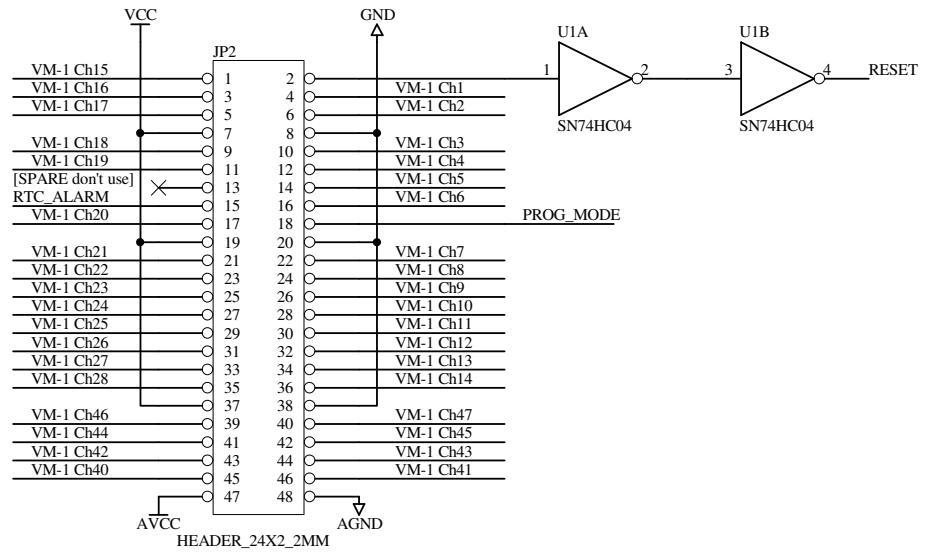
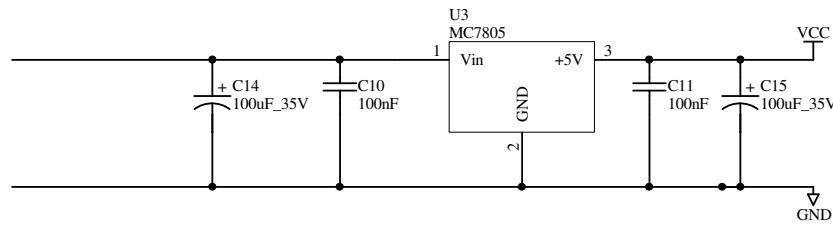


SYSTEM CONNECTOR



I/O CONNECTOR

VM-1 FOOTPRINT



5V Power Supply

D013 VM-1 Footprint	Micro-Robotics Ltd. The Old Maltings 135 Ditton Walk Cambridge CB5 8QB Tel. +44 (0) 1223 523100
Revision: 2000 05 24	
Date: 3-Apr-2006 11:48:15	
Sheet 1 of 4	
File: S:\data\Venom SCVM-1 Useful Cets\D013_VM-1_Footprint.sch	